

CAMAC Mini Crate with 6 slots (single span), with mobility

C-PS 600 CAMAC Mini Crate (Power Supply)

* Abstraction

C-PS 600 is a mini-size crate power supply based on CAMAC standard (IEEE583), can load 6 single span CAMAC modules. The right figure shows that it is placing vertically. And can be also used placing horizontally. In addition, available to be used to attach 19 inches rack with rack mount attachment.

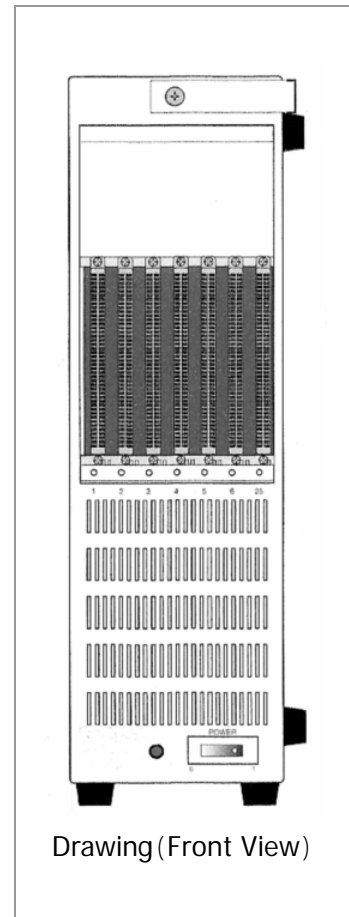
* Specifications

- Input Voltage: Please refer below ¹⁾
- Output: +/-6V 16.7A, +/-24V 1.5A
- Number of Slots:7 (Slot No.1~6 + No.25)
- Dimension[mm]:132.6W x 440H x 360D
- Over current
 $\geq 21A (+/-6V)$, $\geq 1.8A (+/-24V)$ ²⁾

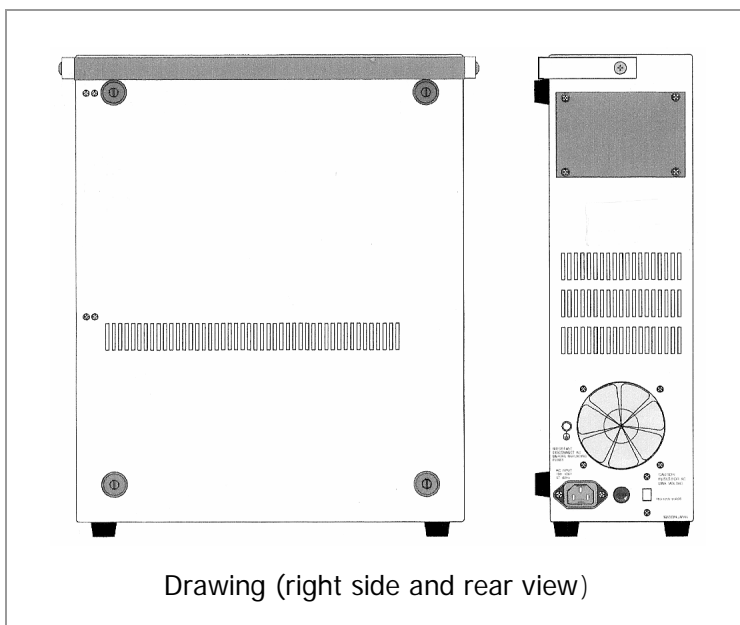
- 1) Input voltage is designed by customers' specification.
- 2) For detail of behavior of over-current, please contact Technoland.

* Accessory

- Rack mount attachment
(Use when installing in 19 inches rack)



Drawing (Front View)



Drawing (right side and rear view)

Mini-size design which fits 19 inches rack.

Dimension[mm]

W:132.6

H:440


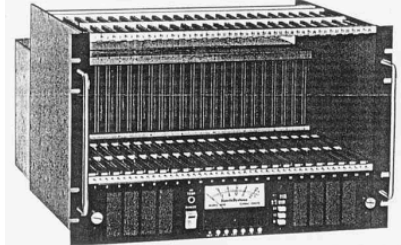
D:360

<The precautions for use>

In case of making C-PS 600 horizontally and using, don't place heavy instrument such as the laboratory instruments above.

By placing heavy objects on C-PS 600, there is fear that the frame warps. As a result, there is fear that will be impossible to insert and/or remove CAMAC module(s).

Other products: CAMAC Controller, CAMAC Crate Power Supply(25 slots type)

CC Net (CAMAC Controller)	C-PS 750 CAMAC Crate Power Supply (25 Slots (No.1~24+No.25))
 <p>Major Feature</p> <ul style="list-style-type: none"> - High Performance, Low Power, Transmeta Crusoe Embedded SBC with Linux® - Pipeline architecture Maximum transfer speed surpass CAMAC standard limitation - Event trigger input execute 1st CAMAC command in FIFO - Communicate with external computer via 10/100Mbps Ethernet - LAM interrupt 	 <p>Input Voltage: Please refer below*. Output: +/-24V 6A, +/-6V 40A *...Input voltage is designed by customers' specification.</p>

Note) These specifications are subject to change without notice.

For customized product which fits to your specifications, please contact Technoland.

Technoland Corporation

Technoland CAMAC

13-12 Nishimatsubara Mizuho Tokyo, JAPAN Zip 190-1223

Phone +81-42-557-7760 FAX +81-42-557-7727

http://www.tcmland.co.jp/index_e.html technoland@mta.biglobe.ne.jp